

# 8FG15 8FD15

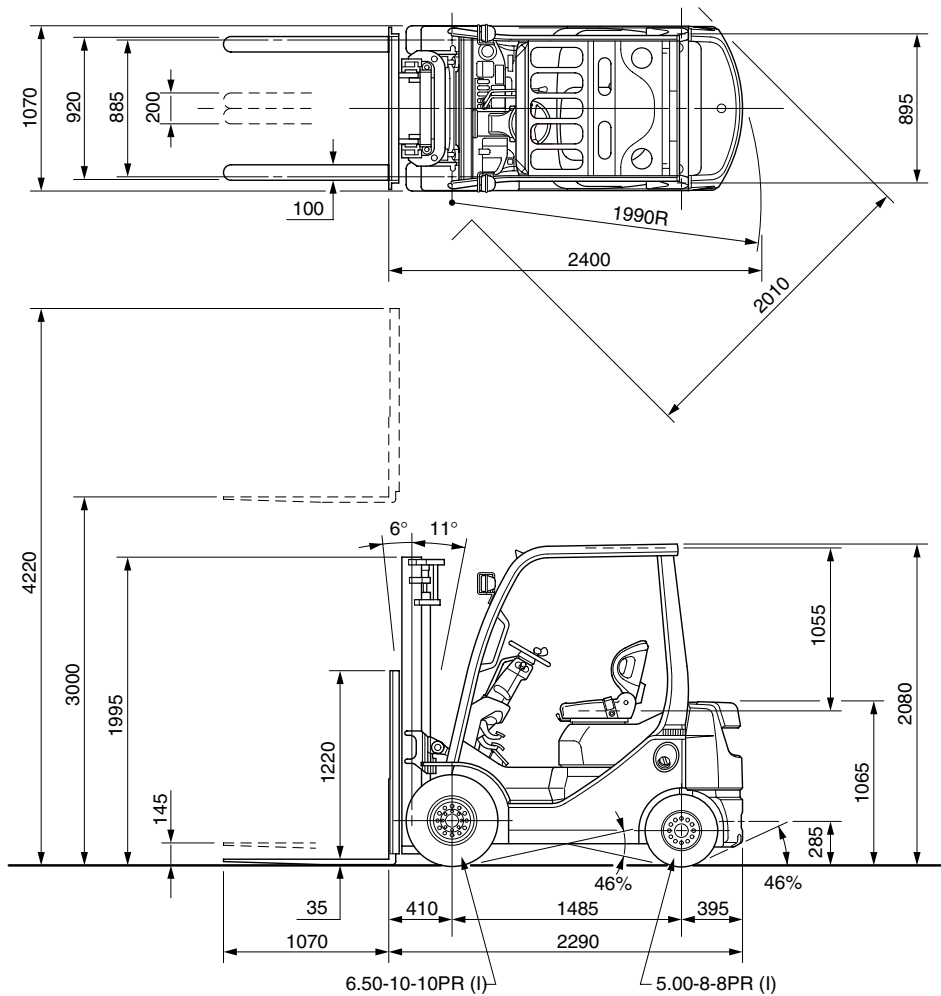
## MAIN VEHICLE SPECIFICATIONS

				TOYOTA		TOYOTA		
				30-8FG15	32-8FG15	60-8FD15	62-8FD15	
1	Manufacturer			TOYOTA				
2	Model							
3	Load Capacity	kg	1500					
4	Load Center	mm	500					
5	Power Type			Gasoline		Diesel		
6	Operator Position			Rider Seated		Rider Seated		
7	Tire Type	Front/Rear	Pneumatic					
8	Wheels (x = driven)	Front/Rear	2x/2					
9	Maximum Fork Height (MFH)	mm	3000					
10	Free Lift	mm	145					
13	Fork Size	T x W x L	35x100x1070		35x100x1070			
	Fork Spread (Outside)	MAX./MIN.	920/200		920/200			
14	Tilt Range	FWD/BWD	6/11		6/11			
15	Length to Fork Face	mm	2290					
16	Overall Width	mm	1070					
17	Mast Lowered Height	mm	1995					
18	Mast Extended Height	mm	3920					
19	Overhead Guard Height	mm	2080					
21	Turning Radius (Outside)	mm	1990					
22	Load Distance (Centerline of front axle to front face of forks)	mm	410					
	Rear Overhang	mm	395					
23	Basic Right Angle Stacking Aisle Width (Add load length and clearance)	mm	2400					
24	Travel, Max. (FWD/RVS)	Full Load	km/h	19.0/19.0	18.5/18.5	19.0/19.0	18.5/18.5	
		No Load	km/h	19.5/19.5	19.0/19.0	19.5/19.5	19.0/19.0	
25	Speeds	Lifting	Full Load	mm/sec	610	610	650	650
			No Load	mm/sec	660	660	675	675
26	Lowering	Full Load	mm/sec	500	500	500	500	
		No Load	mm/sec	550	550	550	550	
28	Max. Drawbar Pull	Full Load	N (kg)	15200 (1550)	17200 (1750)	15500 (1580)	17600 (1790)	
		No Load	N (kg)	6900 (700)	6300 (640)	7000 (710)	7000 (710)	
	Max. Drawbar Pull at 1.5km/h *	Full Load	N (kg)	—	15700 (1600)	—	16000 (1630)	
29	Gradeability at 1.5 km/h *	Full Load	% (tanθ)	—	45	—	45	
30	Max. Gradeability *	Full Load	% (tanθ)	45	45	44	45	
		No Load	% (tanθ)	22	22	22	22	
32	Total Weight	kg	2430		2530			
33	Weight Distribution	Full Load	Front	kg	3430		3480	
			Rear	kg	500		550	
34	No Load	Front	kg	1010		1060		
		Rear	kg	1420		1470		
35	Number	Front/Rear	2/2					
36	Tires	Front	6.50-10-10PR (I)		6.50-10-10PR (I)			
		Rear	5.00-8-8PR (I)		5.00-8-8PR (I)			
38	Wheelbase	mm	1485		1485			
39	Tread	Front	mm	885		885		
		Rear	mm	895		895		
	Backrest Height	mm	1220					
	Overhead Guard Clearance	mm	1055					
	Counterweight Height	mm	1065					
	Drawbar Pin Center Height	mm	285					
	Step Height/Floor Height	mm	395/635		395/635			
40	Underclearance	Min. with Load	mm	115		115		
41	Center of Wheelbase	mm	130		130			
	Grade Clearance	Frame/Counterweight	% (tanθ)	46/46		46/46		
42	Brake	Service (Foot)	Hydraulic				Hydraulic	
		Parking	Hand		Foot		Hand	
45	Battery	Voltage/Capacity (5HR)	V/AH	12/27		12/55		
49	Make/Model			TOYOTA/4Y		TOYOTA/1DZ-II		
50	Rated Horsepower/r.p.m.	kW (JIS ps)	40/2400 (54/2400)		40/2400 (54/2400)			
51	Rated Torque/r.p.m.	N-m (JIS kg-m)	161/1800 (16.4/1800)		166/1600 (16.9/1600)			
52	Internal Combustion Engine	Number of Cylinder	4					
		Piston Displacement	cc	2237		2486		
		Fuel Tank Capacity	liter	45		45		
55	Transmission	Type	Manual	Powershift		Manual	Powershift	
		Stage	2/2	1/1		2/2	1/1	
57	Operating Pressure	For Attachments	Mpa (kg/cm <sup>2</sup> ) <psi>	11.8 (120) <1700>		11.8 (120) <1700>		

NOTE: \* Computed values.

# DIMENSIONAL DRAWINGS

## 8FG/8FD15



### UNDERCLEARANCE

Mast .....	
Drive Axle .....	120
Steer Axle .....	120
Center of Wheelbase .....	130
Counterweight .....	120

### SPECIAL TREAD

Model		8FG/8FD15		
Front Tire	Single/Dual	Single	Single	Dual
Front Tire Size		6.50-10-10PR (I)	21x8-9-10PR (I)	4.50-12-8PR (I)
Overall Width	mm	1070	1110	1290
Tread, Front	mm	885	920	1010

### SPECIAL MAST

Wide Visible Full-Free Lift Two-Stage Mast (FV), Wide Visible Full-Free Lift Three-Stage Mast (FSV)

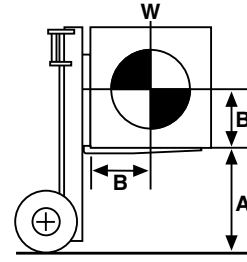
Model		8FG15				8FD15	
Type of Mast		FV		FSV			
<b>PERFORMANCE</b>							
Speeds	Lifting	Full Load	mm/sec	565	600	570	620
		No Load	mm/sec	610	640	615	650
	Lowering	Full Load	mm/sec		480		480
		No Load	mm/sec		420		450
<b>DIMENSIONS</b>							
Load Distance (Centerline of front axle to front face of forks)		mm		415		430	

**RATED CAPACITIES**  
8FG/8FD15

Unit: kg (W)

**V, FV Mast (PN or PSC)**

A (mm)	4000	4500	5000
500	1500	1450	1300
600	1350	1300	1170
700	1220	1180	1060
800	1120	1090	970
900	1040	1000	900
1000	960	930	830
1100	900	870	780
1200	840	810	730



**A:** Max. Fork Height  
**B:** Load Center  
**W:** Capacity

**FSV Mast (PN)**

A (mm)	4300	4500	4700	5000	5500	6000	6500	7000
500	1400	1350	1350	1250 [1300]	950 [1250]	700 [1100]	— [900]	— [650]
600	1260	1210	1210	1120 [1170]	850 [1120]	630 [990]	— [810]	— [580]
700	1150	1110	1110	1020 [1060]	780 [1020]	570 [900]	— [740]	— [530]
800	1050	1020	1020	940 [980]	710 [940]	520 [830]	— [680]	— [490]
900	970	940	940	870 [900]	660 [870]	480 [760]	— [620]	— [450]
1000	910	870	870	810 [840]	610 [810]	450 [710]	— [580]	— [420]
1100	850	820	820	750 [790]	570 [750]	420 [660]	— [540]	— [390]
1200	790	770	770	710 [740]	540 [710]	390 [620]	— [510]	— [370]

**FSV Mast (PSC)**

A (mm)	5000	5500	6000
500	1300	1050	800
600	1170	940	720
700	1060	860	650
800	980	790	600
900	900	730	550
1000	840	680	520
1100	790	630	480
1200	740	590	450

[ ] for dual tire models (PN or PSC).

**MAST SPECIFICATIONS & RATED CAPACITIES**

Wide Visible Mast (V), Wide Visible Full-Free Lift Two-Stage Mast (FV), Wide Visible Full-Free Lift Three-Stage Mast (FSV)  
8FG/8FD15

Mast Type	Maximum Fork Height	Overall Height			Free Lift		Single Tire				Dual Tire		
		Lowered	Extended		Without Load Backrest	With Standard Load Backrest	Tilt Range		Load Capacity at 500 mm LC		Tilt Range		Load Capacity at 500 mm LC Pneumatic Tire/ Pneumatic-Shaped Cushion Tire
			Without Load Backrest	With Standard Load Backrest			FWD	BWD	Pneumatic Tire	Pneumatic-Shaped Cushion Tire	FWD	BWD	
V	2700	1845	3145*	3920	145	145	6	11	1500	1500	7	10	1500
	3000	1995	3445*	4220	145	145	6	11	1500	1500	7	10	1500
	3300	2145	3745*	4520	145	145	6	11	1500	1500	7	10	1500
	3500	2245	3945*	4720	145	145	6	11	1500	1500	7	10	1500
	3700	2405	4145*	4920	145	145	6	11	1500	1500	7	10	1500
	4000	2595	4445*	5220	145	145	6	11	1500	1500	7	10	1500
	4500	2845	4945*	5720	145	145	6	6	1450	1450	7	10	1450
5000	3095	5445*	6220	145	145	6	6	1300	1300	7	5	1300	
FV	2870**	1930	3430	4085	1365	710	6	11	1500	1500	7	10	1500
	3000	1995	3560	4210	1430	780	6	11	1500	1500	7	10	1500
	3300	2145	3860	4510	1580	930	6	11	1500	1500	7	10	1500
	3500	2245	4060	4710	1680	1030	6	11	1500	1500	7	10	1500
	3700	2405	4260	4910	1840	1190	6	11	1500	1500	7	10	1500
	4000	2595	4560	5210	2030	1380	6	11	1500	1500	7	10	1500
FSV	3700	1795	4235	4915	1260	580	6	6	1400	1400	7	5	1400
	4000	1895	4535	5215	1360	680	6	6	1400	1400	7	5	1400
	4300	1995	4835	5515	1460	780	6	6	1400	1400	7	5	1400
	4500	2065	5035	5715	1530	850	6	6	1350	1350	7	5	1350
	4700	2145	5235	5915	1610	930	6	6	1350	1350	7	5	1350
	5000	2245	5535	6215	1710	1030	6	6	1250	1300	7	5	1300
	5500	2405	6035	6715	1870	1190	6	6	950	1050	7	5	1250
	6000	2595	6535	7215	2060	1380	6	6	700	800	7	5	1100
	6500	2845	7035	7715	2310	1630	—	—	—	—	7	5	900
	7000	3095	7535	8215	2560	1880	—	—	—	—	7	5	650

NOTE: Height of standard load backrest is 1220 mm.  
\* with A4 piping, plus 155 mm.  
\*\* Set only to a Russian specification.